

II B. Tech II Semester Supplementary Examinations, Nov/Dec-2016

MACHINE DRAWING

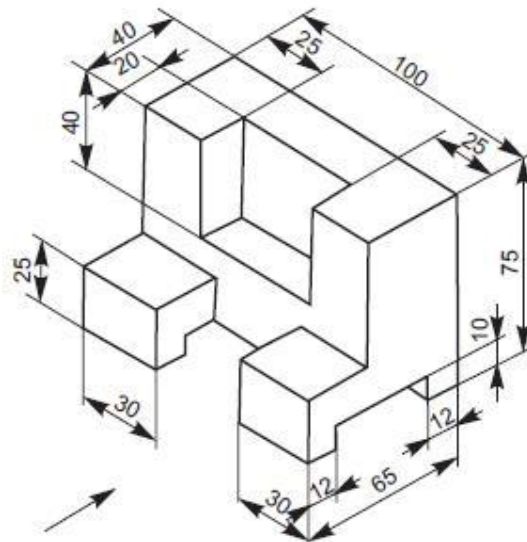
(Com. to ME, AME, MM)

Time: 3 hours

Max. Marks: 70

Note: 1. Question Paper consists of two parts (Part-A and Part-B)**2. Answer TWO question from Part-A****3. Part-B is compulsory**PART -A

1. a) Draw (i) the view from the front, (6M)
 (ii) the view from above and
 (iii) the view from the left of the object shown in Figure.

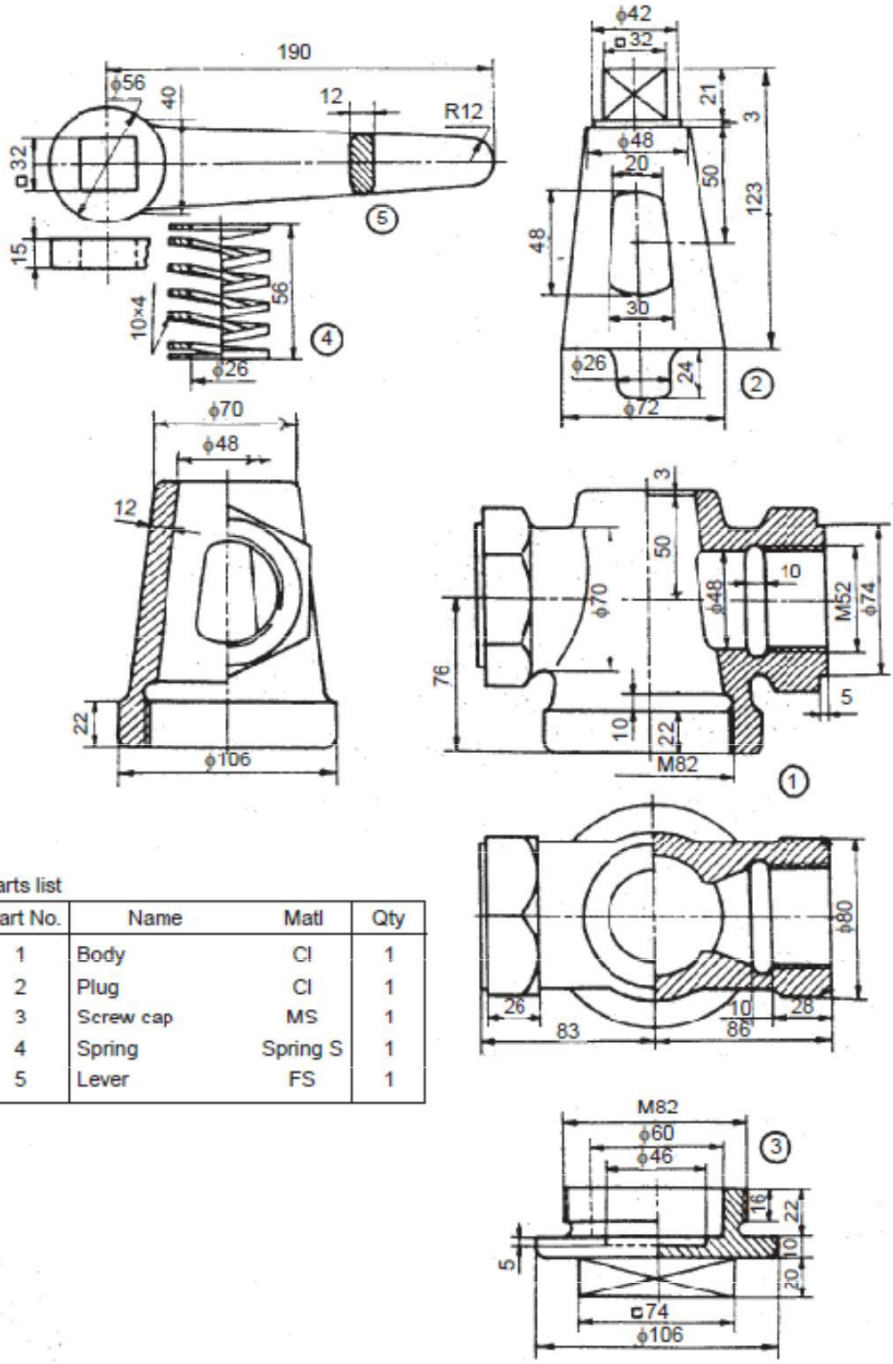


- b) Sketch the following (5M)
 (i) Castle nut (ii) Lock nut (iii) Square nut
2. Draw (a) sectional view from the front and (11M)
 (b) view from the side of a universal coupling, indicating proportions, to connect two shafts, each of diameter 40 mm.
3. Draw (a) sectional view from the front and (11M)
 (b) view from above, of the double riveted, double strap, zig-zag butt joint to join plates of thickness 10 mm.

PART -B

4. The part drawings of air cock are shown in Fig . Assemble the parts and draw, (48M)
 (a) Sectional view from the front and (a) view from above.





Parts list

Part No.	Name	Matl	Qty
1	Body	CI	1
2	Plug	CI	1
3	Screw cap	MS	1
4	Spring	Spring S	1
5	Lever	FS	1

Air cock

